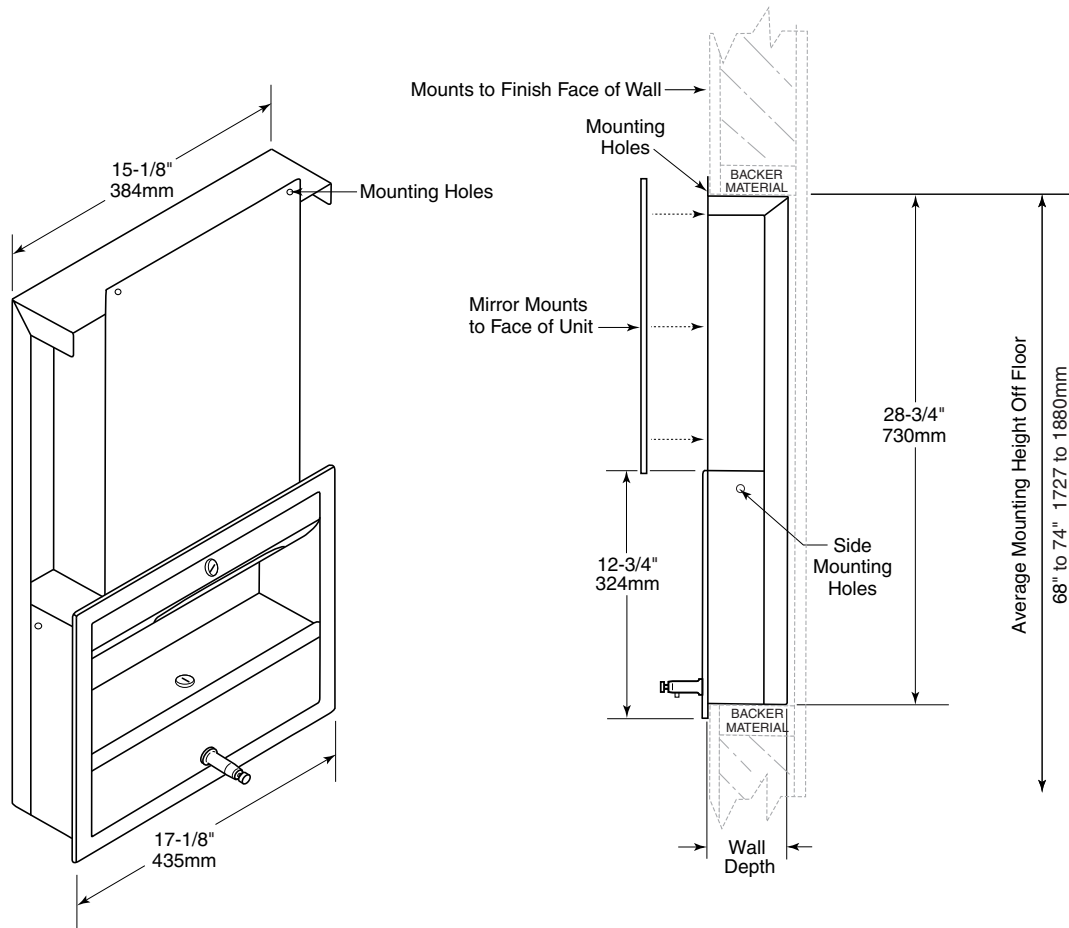


MPU-8 600 C-fold or 800 multi-fold towels, 6" (152mm) deep with 1-1/2-gallon (5.7-L) capacity (Shown)
MPU-9 600 C-fold or 800 multi-fold towels, 4" (102mm) deep with 1-gallon (3.8-L) capacity



Rough Wall Opening

15-5/8" (397mm) wide
29-1/8" (740mm) high
6" (152mm) minimum
recessed depth

CONSTRUCTION:

Unit fabricated of type 304 stainless steel with exposed surfaces having a satin-finish. One piece seamless 22-gauge (0.8mm) flange provided with 1/4" (6mm) return for rigidity. Door is mounted to cabinet with continuous stainless steel piano-hinge and provided with tumbler lock. Soap dispenser is filled by opening tumbler lock cover. Non-corroding valve dispenses viscous lotion soaps, synthetic detergents and antiseptic solutions. Towel chute is hinged for loading. All welded construction.

Behind Wall Multi-Purpose Unit shall be Model _____ (insert model number) Gamco Commercial Restroom Accessories, A Division of Bobrick, One Gamco Place, Durant, OK