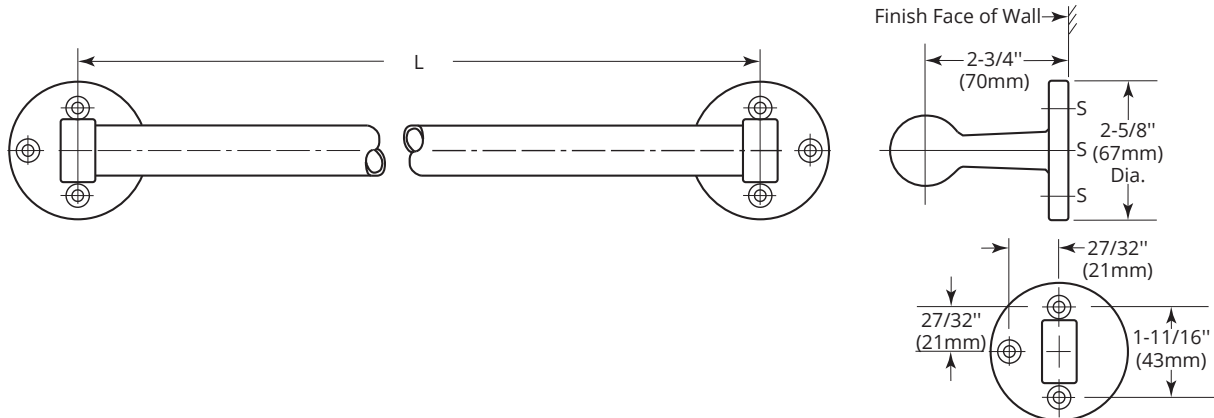


TB-2 for 18" (457mm) towel bar
TB-3 for 24" (609mm) towel bar



CONSTRUCTION:

Bar fabricated of 18-gauge (1.2mm) type 304 stainless tubing with satin-finish and having 1" (25mm) diameter. Heavy satin chrome solid brass posts provided with mounting.

Towel Bar shall be Model _____ (insert model number) of Gamco Commercial Restroom Accessories, A Division of Bobrick Washroom Equipment, Inc., One Gamco Place, Durant, OK, 74701-1910