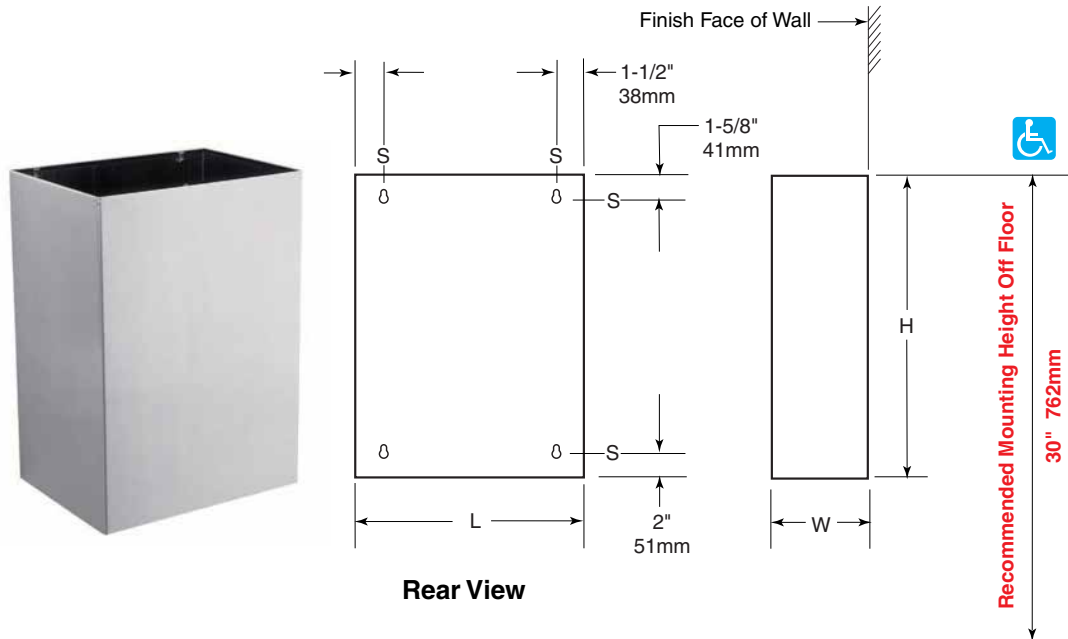


**AVAILABLE SIZES**

| Model No. | Capacity         | Length        | Width         | Height    |
|-----------|------------------|---------------|---------------|-----------|
| WR-1      | 21-gallon 79.5-L | 16-1/2" 419mm | 12-1/2" 318mm | 23" 584mm |
| WR-2      | 7-gallon 26.5-L  | 14" 356mm     | 6" 152mm      | 18" 457mm |
| WR-3      | 2-gallon 7.6-L   | 10-1/2" 267mm | 4-1/2" 114mm  | 9" 229mm  |
| WR-14     | 12-gallon 45.4-L | 15-1/4" 387mm | 8" 203mm      | 23" 584mm |

**Note:** WR-1, WR-2 Provided with leak proof, reusable vinyl liner.



**CONSTRUCTION:**

Unit fabricated of type 304 22-gauge (0.8mm) stainless steel. All welded construction with exposed surfaces having a #4 satin-finish. Hemmed top and bottom edges for safety. Keyholes in rear allow for easy installation.

**INSTALLATION:**

Mount unit on wall with four sheet-metal screws (not furnished) at points indicated by an S. For plaster or dry wall construction, provide concealed backing to comply with local building codes, then secure unit with sheet-metal screws. For other wall surfaces, provide fiber plugs or expansion shields for use with sheet-metal screws, or provide 1/8" (3mm) toggle bolts or expansion bolts.

Surface-Mounted Waste Receptacle shall be Model \_\_\_\_\_ (insert model number) of Gamco Commercial Restroom Accessories, One Gamco Place, Durant, OK, 74701-1910