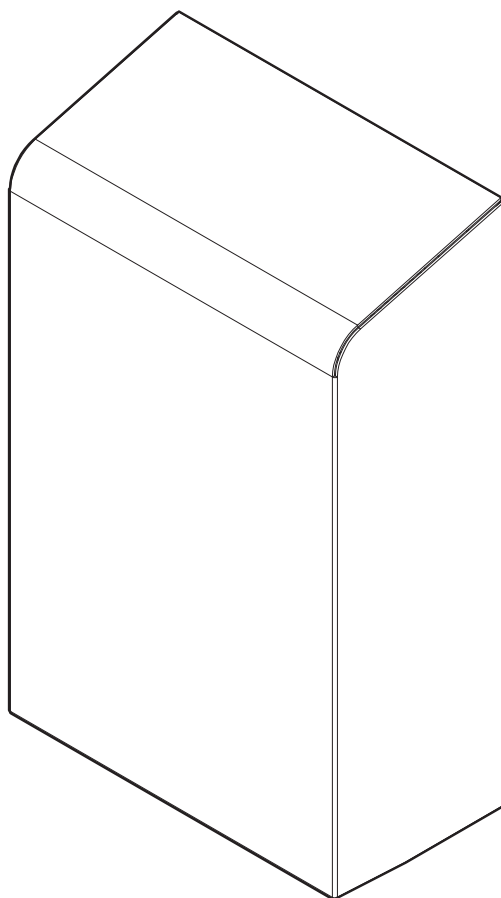


# DR-5125 115v / DR-5125.MBLK 115v Surface-Mounted ADA Compliant High Speed Hand Dryer with HEPA Filter

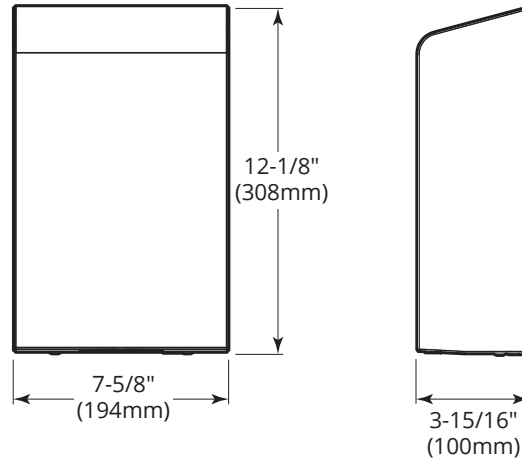


Please read and save these instructions. Read carefully before attempting to assemble, install, operate or service the product described. Protect yourself and others by observing all safety information. Failure to comply with instructions could result in personal injury and/or property damage. Retain instructions for future reference.



# Operating Instructions and Parts Manual (Automatic)

Unit Size: mm (inch)



## Technical Specifications

### Item Category

Operating Voltage

Air Output Temperature

Warm Air Speed Output

Dryer shall Deliver

Motor Type

Motor Thermal Protection Heater Element

Heater Element

Heater Thermal Protection

Drying Time

Stand-by Power

Circuit Operation

Sensor Range

Timing Protection

Drip proof

Isolation

Net Weight

Shipping Weight

### Performance

110-120 Vac, 50/60 Hz, 7.6-8.4A, 0.84-1.0 kW

220-240 Vac, 50/60 Hz, 3.8-4.2 A, 0.84-1.0 kW

55 °C (131 °F) -Ambient Temp. 25 °C (77 °F)

63-89 m/s ( 141-200 mi/h)

86 m<sup>3</sup>/h (51 CFM)

325-500 W, 22,000-29,000 R.P.M., Brush Type, Dual Ball Bearings

Auto Reselling Thermostat turns unit off at 95 °C [203 °F]

325-500 W, Adjustable

Auto Reselling Thermostat turns unit off al 85 °C [185 °F], Thermal fuse cuts unit off al 142 °C [288 °F]

Less than 10-15 seconds

0.3-0.4 W

Infrared Automatic, self adjusting

4" to 9" [100 mm to 230 mm], Adjustable; standard 6.69" [170 mm ± 20 mm]

60 seconds auto shut off

IP24

Class 1

4.0 kg [8.8 lbs]

5.2 kg [11.5 lbs]

## General Safety Information

- ⚠ WARNING** This product is intended for installation by a qualified service person. Use 2.0 mm<sup>2</sup> (AWG NO.14) solid conductor for wiring.
- ⚠ DANGER** Failure to properly ground unit could result in severe electrical shock and/or death.
- ⚠ WARNING** Disconnect power at the service breaker before installing or servicing. Full pole disconnection device must be incorporated in the fixed wiring in accordance with the wiring rules. **NOT FOR HOUSEHOLD USE -MAY CAUSE BURNS.**
- ⚠ WARNING** All units must be supplied with a 3-wire service. The ground wire must be connected to the dryer's backplate.

**Note:** We do not recommend installing this dryer above a basin. If you are installing this dryer above a basin, please make sure that reflection won't occur.

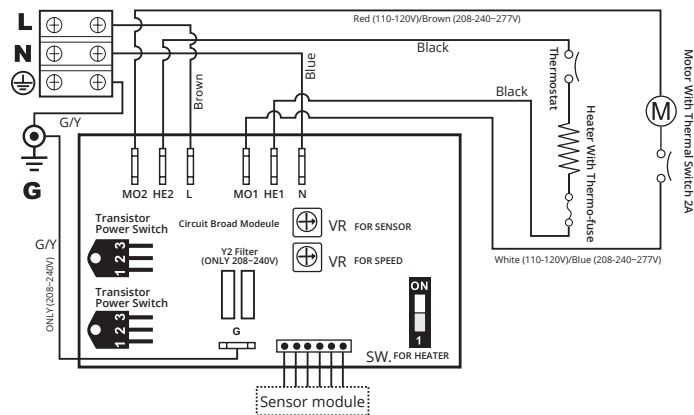
[Type Y attachment]

If the power supply cord is damaged, it must be replaced by the manufacturer or its service agent or a qualified person in order to avoid a hazard. Disconnect the fixed wiring only in accordance with the wiring rules.

This appliance is not intended for use by persons (including children) with reduced physical, sensory or mental capabilities, or lack of experience and knowledge, unless they have been given supervision or instruction concerning use of the appliance by a person responsible for their safety.

Children should be supervised to ensure that they do not play with the appliance.

## Circuit Diagram

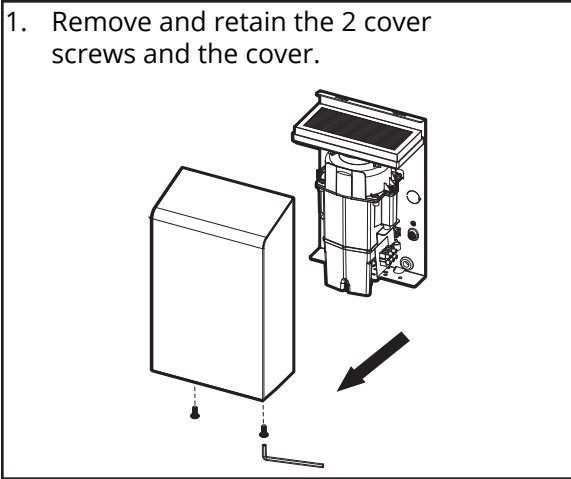


# Installation

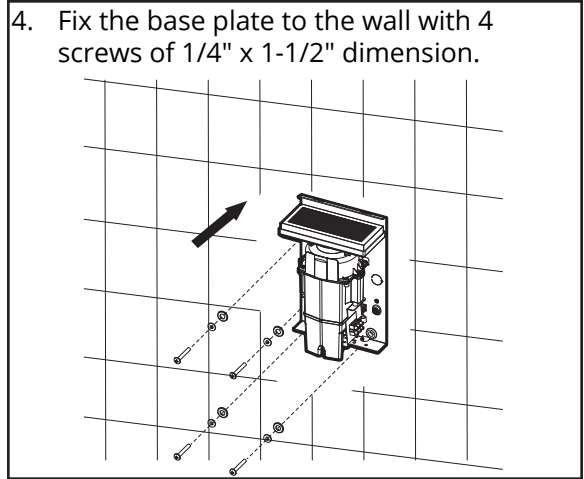
1. Make sure power supply breaker is switched off. Installation must be carried out in accordance with the current edition of the local wiring regulations code having jurisdiction. Installation should be performed only by a qualified electrician.
2. Place template against wall at desired height (see mounting height recommendations) and mark locations of 4 mounting holes and wire service entry at knockout (KO) location.

**Note:** For two or more dryers, dryers should be no closer than 24 inches (610 mm) on center.

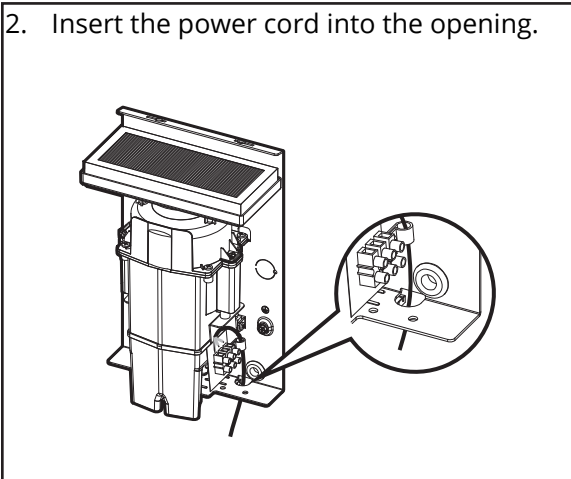
1. Remove and retain the 2 cover screws and the cover.



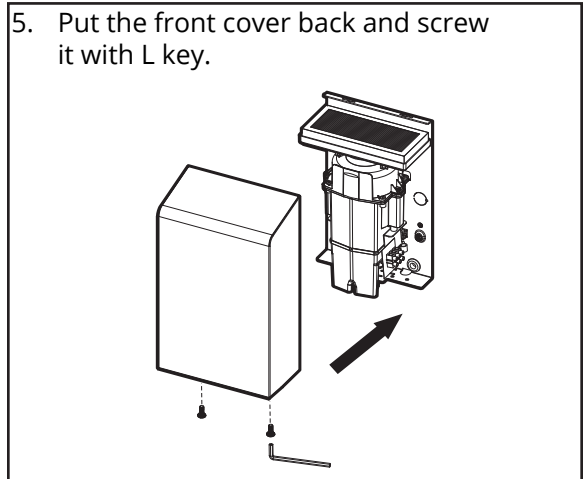
4. Fix the base plate to the wall with 4 screws of 1/4" x 1-1/2" dimension.



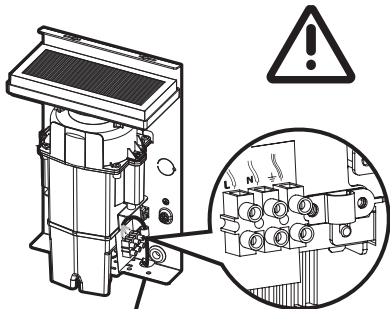
2. Insert the power cord into the opening.



5. Put the front cover back and screw it with L key.



3. Connect the wire into terminal as below:



Connections:

- A. Connect the live wire (colored black, brown or dark) to the terminal block marked "L".
- B. Connect the neutral wire (colored white, blue or light) to the terminal block marked "N".
- C. Connect the ground wire (colored green or green and yellow) to the terminal block marked "⊕".

**Note that colors of live and neutral wires depend on voltage of supply service.**

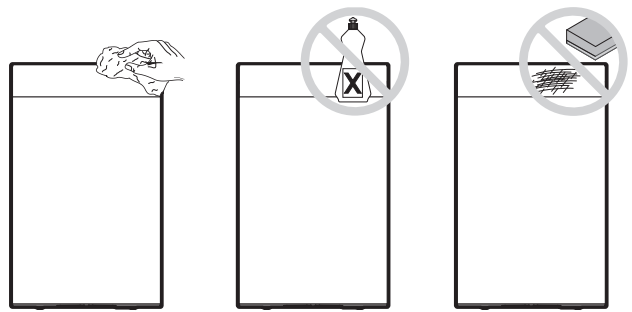
## Operation

- No-touch operation.
- Shake excess water from hands.
- Place hands under the outlet to start operation.
- Rub hands lightly and rapidly.
- Stops automatically after hands are removed.

## Cleaning and Maintenance

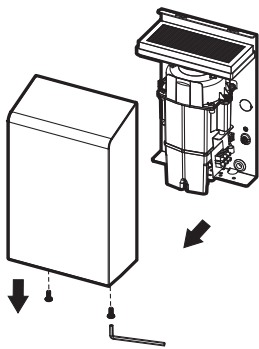
Periodic cleaning of the unit is recommended to ensure optimal performance.

- Disconnect the electrical supply.
- Remove the two cover-mounting screws.
- Remove the cover.
- Clean all dust lint from the interior of the dryer.
- Do not flush with water.
- Wipe the cover with a damp cloth and mild cleaning solution. Do not Soak. Never use abrasives to clean the cover.
- Replace the cover. Do not over tighten the screws.

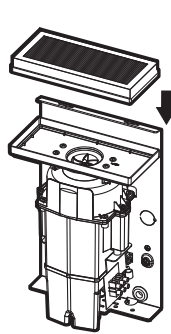


## Change Filter Assembly

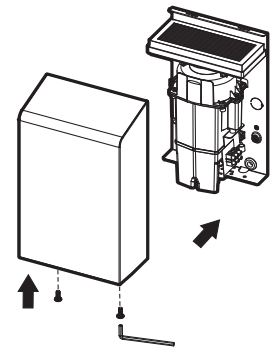
It is recommended to change the filter every six months, depending on the frequency of usage and environment.



Remove and retain the 2 cover screws and the cover. Dispose of the old filter properly.



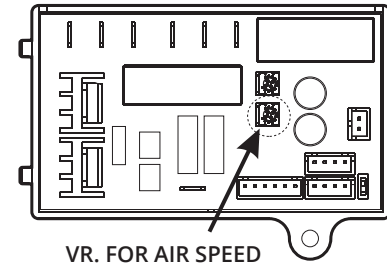
Replace the HEPA filter with a new one.



Put the cover back and screw it with L key.

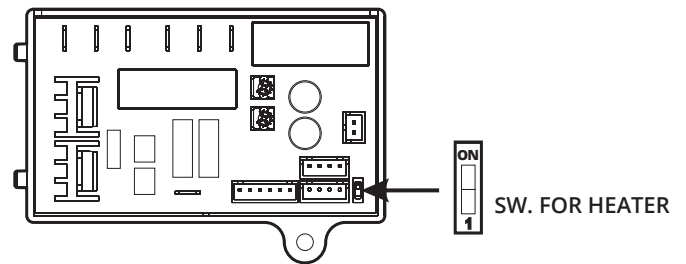
## Warm Air Speed Adjustment

1. Switch off the power, loosen the cover screws and remove the cover.
2. Use small Philips head screwdriver or plastic flat blade probe to turn VR shaft. Clock-wise [CW] to increase power to maximum (+) ↻ turn tool gently [CCW] to reduce power as required (-) ↻.



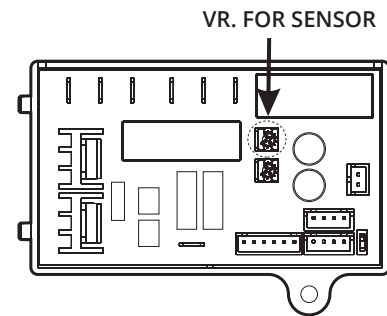
## Heater Element Switch ON/ OFF

1. Switch off the power, loosen the cover screws and remove the cover.
2. Adjust the heater switch on the PCB with a small plastic or wood flat blade probe.
  - 2-1. Slide the switch to "ON" : Heater on.
  - 2-2. Slide the switch to "1" : Heater off.



## Sensor Range Adjustment

1. The range is 4" to 9" [100 mm to 230 mm], standard setting is 6.69" [170 mm ± 20 mm].
2. Clockwise: Increases the sensing range (+) ↻
3. Counterclockwise: Decreases the sensing range (-) ↻
4. **DO NOT OVERTURN!**



# Diagnostics and Remedies

Symptoms
If the dryer will not run
The dryer cycles by itself or runs constantly
The dryer makes a loud noise and does not run for a complete cycle
The dryer runs but air stream is low pressure and/or low velocity

Corrective Actions for Initial Installation Failures
First ensure that the breaker supplying the dryer is operational. If it is, disconnect the power and remove the dryer cover. Take suitable precautions to avoid shock hazard. Reconnect the power and check for voltage at the terminal block. Verify that connections are made correctly.
Ensure that there is no obstruction on or in front of the IR sensor. Clean any dirt or debris off the sensor lens. If problem persists, replace sensor.
Ensure that the supply voltage is correct. Dryer will make a loud humming noise if the input voltage is too high. Verify voltage requirement on the unit rating label and correct power supply as required. If CBM has been damaged, replace CBM, IR sensor module.
Ensure that the supply voltage is correct. Dryer will run weakly if the input voltage is too low. Verify voltage requirement on the unit rating label and correct power supply as required.

Symptoms
If the dryer will not run
The IR sensor only "sees" close range objects
The heater gets hot but no air stream is produced
The dryer only blows cold air during a full cycle
The air stream is low pressure and velocity

Corrective Actions for Initial Installation Failures
First ensure that the breaker supplying the dryer is operational. If it is, disconnect the power and remove the dryer cover. Replace the CBM and IR sensor module. Take suitable precautions to avoid shock hazard. Reconnect the power and check for voltage at the terminal block.
Ensure that there is no obstruction on or in front of the IR sensor. Clean any dirt or debris off the sensor lens. If problem persists, disconnect the power and remove the dryer cover. Taking suitable precautions to avoid shock hazard, reconnect the power and try carefully adjusting the sensitivity control (yellow shaft in blue box on CBM) to increase the sensing range. If problem persists, replace sensor.
Disconnect the power. Remove the dryer cover and disassemble the blower-motor/fan housing. Replace the fan motor.
Disconnect the power. Remove the dryer cover and disassemble the blower-motor/fan housing. Test the thermostat for open circuit. Check the heater element for signs of burning or breakage. Damaged element must be replaced.
Check the output nozzle for obstructions. If none are present, disconnect the power. Remove the dryer cover. Remove any dust/lint buildup from intake vent slots. Disassemble the blower-motor/fan housing. Check the motor brushes for worn condition ( $\leq 25/64$ " [10 mm] graphite remains) and replace them, if necessary.

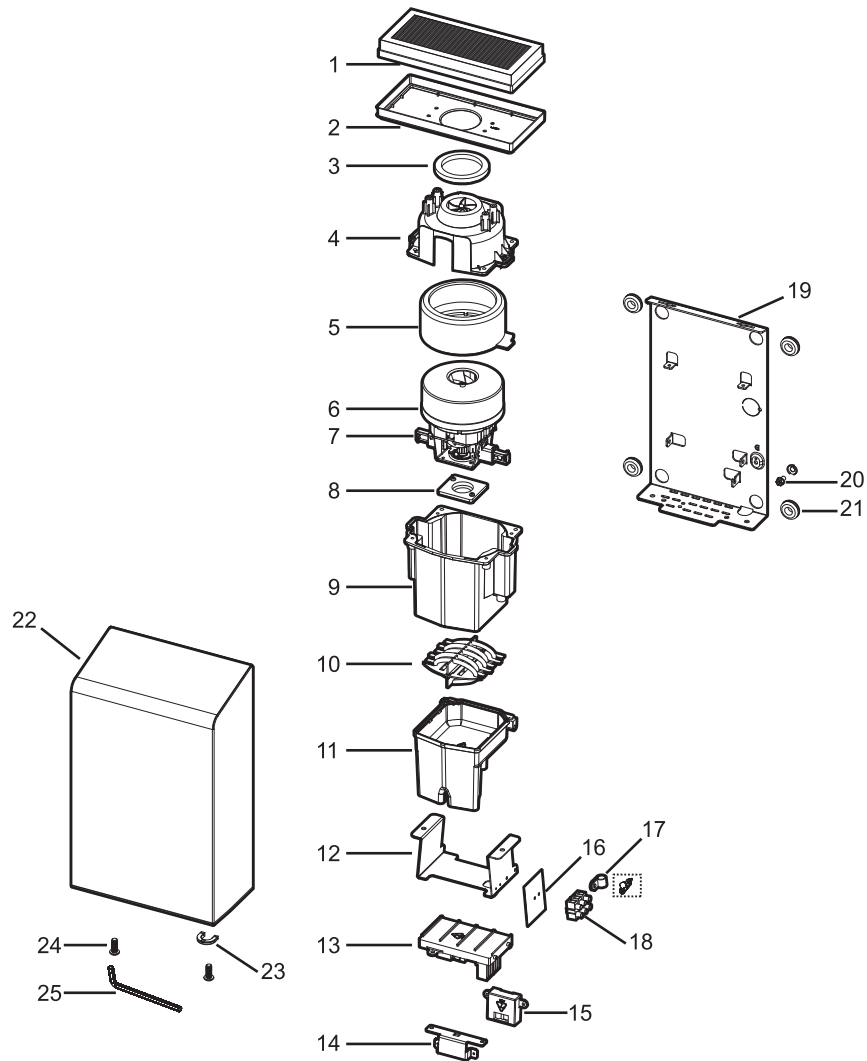
## Important Information

This product falls within the scope of the Waste Electrical & Electronic Equipment Directive 2012/19/EU. (WEEE)



**Note:** This product should not be disposed of with household waste. Please recycle where facilities exist. Check with your local authority for recycling advice.

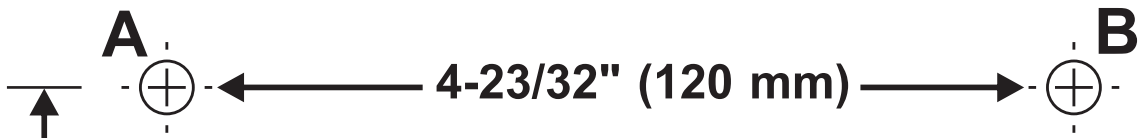
# Diagram



## Component List

Key	Description	Key	Description
1	HEPA Filter	14	Sensor bracket
2	HEPA Filter holder	15	Sensor module
3	HEPA Filter holder - gasket	16	Insulation Mylar shield with LNG marked
4	Blower housing - Upper	17	Cable clamp
5	Motor rubber - Large		Cable clamp - EU
6	Motor	18	Terminal block
7	Motor brushes	19	Base plate (not provided)
8	Motor rubber - Small	20	Grounding screw
9	Blower housing - Below	21	Rubber grommet - Base (4 reqd.)
10	Heater assembly	22	Cover
11	Air outlet	23	Cable protector
12	Air outlet bracket	24	Security hex screw (2 reqd.)
13	Circuit Board Module	25	L-Wrench





# DRYER MOUNTING TEMPLATE

**Fix this card on the wall.**

Drill 4 holes

(A. B. C. D. 5/16" (8 mm) diameter: 1-3/8" (35 mm) depth.)

## CONNECT DESCRIPTION

1. Secure the base plate on the wall provided.
2. The conduit in place by suitable 1/2 inch trade conduit fitting.
3. Connections:
  - A. Connect the live wire (colored black, brown or dark) to the terminal block marked "L"
  - B. Connect the natural wire (colored white, blue or light) to the terminal block marked "N"
  - C. Connect the ground wire (colored green or green and yellow) to the terminal block marked "⊖"

### Required Heights

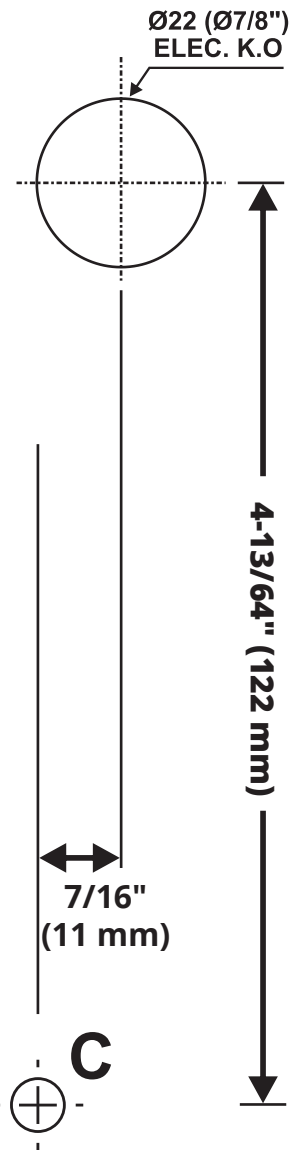
Men	1270 mm	(50")
Women	1194 mm	(47")
Children 4-7 years	889 mm	(35")
Children 8-10 years	991 mm	(39")
Children 11-13 years	1092 mm	(43")
Children 14-16 years	1194 mm	(47")
Handicaped	1016 mm	(40")

### Important Information

This product falls within the scope of the Waste Electrical & Electronic Equipment Directive 2012/19/EU. (WEEE)



**Note:** This product should not be disposed of with household waste. Please recycle where facilities exist. Check with your local authority for recycling advice.



8-27/64" (214 mm)

4-13/64" (122 mm)

7/16"  
(11 mm)

**39" (100cm) from the ground is suitable**



**Gamco, A Division of Bobrick Washroom Equipment, Inc.**

One Gamco Place, Durant, Oklahoma, 74701

Los Angeles: 6901 Tujunga Ave. North Hollywood, CA 91605-6213; Tel: (818) 982-9600, Fax: (588) 503-1102

New York: 200 Commerce Drive, Clifton Park, NY 12065-1350; Tel: (518) 877-7444, Fax: (518) 877-5029

Email: [bobrickcustomerservice@bobrick.com](mailto:bobrickcustomerservice@bobrick.com)

[www.gamco.com](http://www.gamco.com)